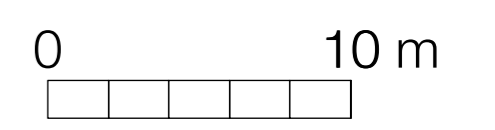


- Key
- Proposed tree planting
  - Proposed woodland planting mix A
  - Proposed ornamental hedgerow
  - Proposed shrub and groundcover
  - Proposed meadow, Emorsgate EM3 special general purpose meadow mix or similar approved
  - Proposed amenity grass, Emorsgate EG22 strong lawn grass mix or similar
  - Existing trees located from the aerial photograph to be retained
  - Existing tree retained from topographic survey
  - Existing long grass verges alongside highway to be retained and reinstated

FOR PLANTING SCHEDULES REFER TO SCHEDULES DRAWING 224406BM MERLIN-TOR-ZZ-ZZ-SH-L-90-0001

# BUILDING 80

Notes/Revisions



Masterplan 2022  
Warner Bros.

Island Site  
Planting Plan Sheet 2 of 3

Status: FOR PLANNING	Drawn by: JD	Checked by: BP
Project Number: 224401BM	Scale @ A1: 1:250 @ A1	Date: 2/2022
Drawing Number: MERLIN-TOR-ZZ-ZZ-DR-L-90-0003		Revision: D

© Terence O'Rourke Ltd 2022 Scale to be used for planning purposes only

TERENCE O'ROURKE

LONDON  
23 Haddon Street  
London W1B 4BG

BIRMINGHAM  
Enterprise House, 115 Edmund Street  
Birmingham B3 2JU

BOURNEMOUTH  
Everdene House, Deanleigh Road  
Bournemouth BH7 7JU

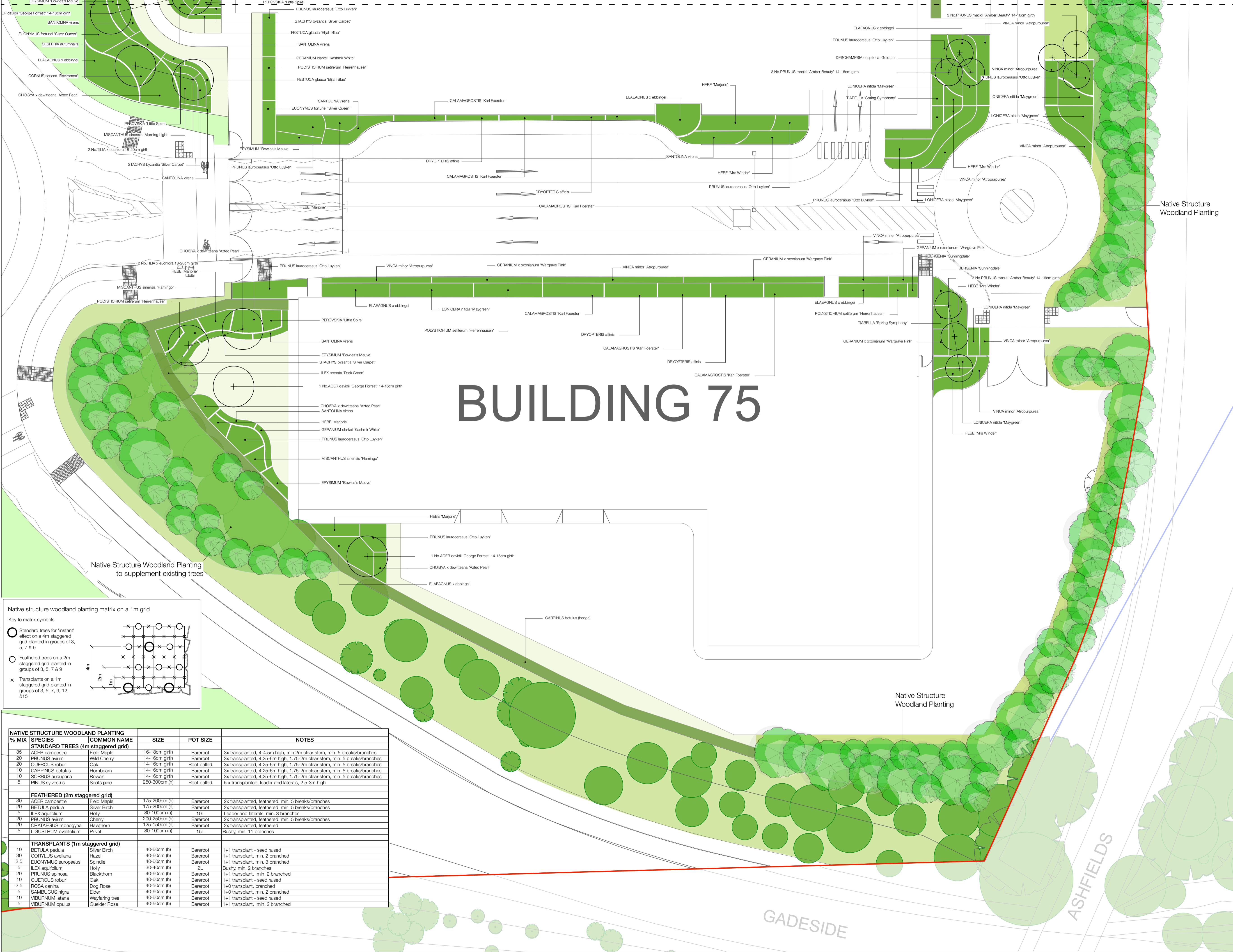
TELEPHONE  
020 3664 6705

www.torltd.co.uk

REFER TO DRAWING 224406BM MERLIN-TOR-ZZ-ZZ-DR-L-90-0004 (SHEET 3 of 3)

REFER TO DRAWING 224406BM MERLIN-TOR-ZZ-ZZ-DR-L-90-0002 (SHEET 1 of 3)

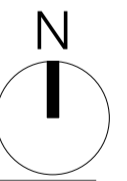
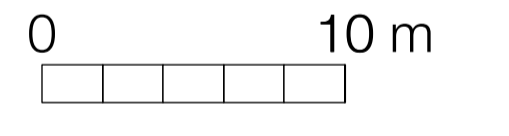




- Key
- Proposed tree planting
  - Proposed woodland planting mix A
  - Proposed ornamental hedgerow
  - Proposed shrub and groundcover
  - Proposed meadow, Emorsgate EM3 special general purpose meadow mix or similar approved
  - Proposed hydroseeding
  - Proposed amenity grass, Emorsgate EG22 strong lawn grass mix or similar
  - Existing trees located from the aerial photograph to be retained
  - Existing tree retained from topographic survey
  - Existing long grass verges alongside highway to be retained and reinstated

FOR PLANTING SCHEDULES REFER TO SCHEDULES DRAWING 224406BM MERLIN-TOR-ZZ-ZZ-SH-L-90-0001

Notes/Revisions



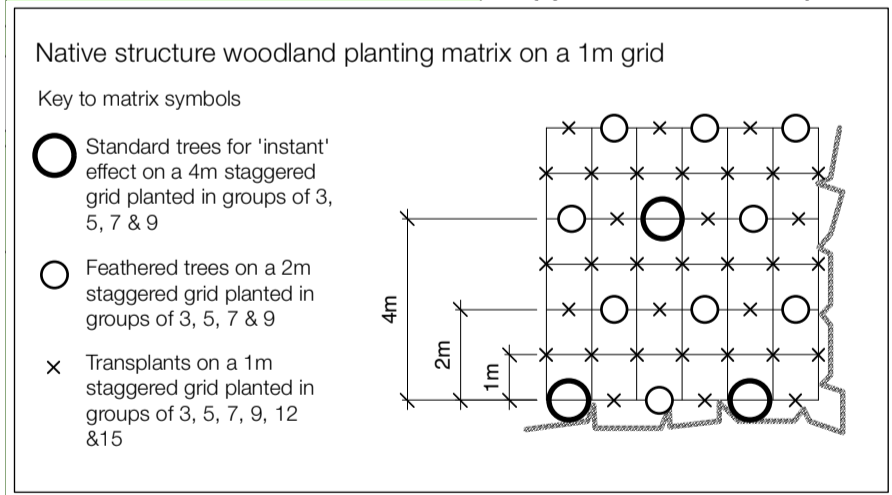
Masterplan 2022  
Warner Bros.

Island Site  
Planting Plan Sheet 3 of 3

Status:	FOR PLANNING	Drawn by:	JD	Checked by:	BP
Project Number:	224401BM	Scale @ A1:	1:250 @ A1	Date:	2/2022
Drawing Number:	MERLIN-TOR-ZZ-ZZ-DR-L-90-0004	Revision:	F		

© Terence O'Rourke Ltd 2022 Scale to be used for planning purposes only

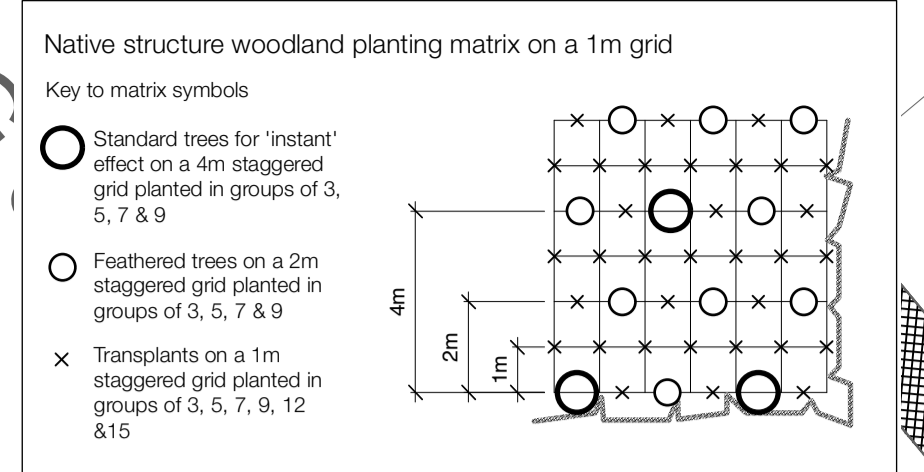
TERENCE O'ROURKE  
LONDON  
23 Heddon Street  
London W1B 4BD  
BIRMINGHAM  
Enterprise House 115 Edmund Street  
Birmingham B3 2JU  
BOURNEMOUTH  
Everdine House Oceanview Road  
Bournemouth BH7 7DU  
TELEPHONE  
020 3664 0755  
www.torfd.co.uk



% MIX	SPECIES	COMMON NAME	SIZE	POT SIZE	NOTES
<b>STANDARD TREES (4m staggered grid)</b>					
35	ACER campestre	Field Maple	16-18cm girth	Bareroot	3x transplanted, 4-4.5m high, min 2m clear stem, min. 5 breaks/branches
20	PRUNUS avium	Wild Cherry	14-16cm girth	Bareroot	3x transplanted, 4.25-6m high, 1.75-2m clear stem, min. 5 breaks/branches
20	QUERCUS robur	Oak	14-16cm girth	Root balled	3x transplanted, 4.25-6m high, 1.75-2m clear stem, min. 5 breaks/branches
10	CARPINUS betulus	Hornbeam	14-16cm girth	Bareroot	3x transplanted, 4.25-6m high, 1.75-2m clear stem, min. 5 breaks/branches
10	SCORBUS aucuparia	Rowan	14-16cm girth	Bareroot	3x transplanted, 4.25-6m high, 1.75-2m clear stem, min. 5 breaks/branches
5	PINUS sylvestris	Scots pine	250-300cm (h)	Root balled	5 x transplanted, leader and laterals, 2.5-3m high
<b>FEATHERED (2m staggered grid)</b>					
30	ACER campestre	Field Maple	175-200cm (h)	Bareroot	2x transplanted, feathered, min. 5 breaks/branches
20	BETULA pedula	Silver Birch	175-200cm (h)	Bareroot	2x transplanted, feathered, min. 5 breaks/branches
5	ILEX aquifolium	Holly	80-100cm (h)	10L	Leader and laterals, min. 3 branches
20	PRUNUS avium	Cherry	200-250cm (h)	Bareroot	2x transplanted, feathered, min. 5 breaks/branches
20	CRATAEGUS monogyna	Hawthorn	125-150cm (h)	Bareroot	2x transplanted, feathered
5	LIGUSTRUM ovalifolium	Privet	80-100cm (h)	15L	Bushy, min. 11 branches
<b>TRANSPLANTS (1m staggered grid)</b>					
10	BETULA pedula	Silver Birch	40-60cm (h)	Bareroot	1+1 transplant - seed raised
30	CORYLUS avellana	Hazel	40-60cm (h)	Bareroot	1+1 transplant, min. 2 branched
2.5	EUCONYMIUS europaeus	Spindle	40-60cm (h)	Bareroot	1+1 transplant, min. 3 branched
5	ILEX aquifolium	Holly	30-40cm (h)	2L	Bushy, min. 2 branches
20	PRUNUS spinosa	Blackthorn	40-60cm (h)	Bareroot	1+1 transplant, min. 2 branched
10	QUERCUS robur	Oak	40-60cm (h)	Bareroot	1+1 transplant - seed raised
2.5	ROSA canina	Dog Rose	40-60cm (h)	Bareroot	1+0 transplant, branched
5	SAMOLUS nigra	Elster	40-60cm (h)	Bareroot	1+0 transplant, min. 2 branched
10	VIBURNUM latana	Wayfaring tree	40-60cm (h)	Bareroot	1+1 transplant - seed raised
5	VIBURNUM opulus	Guedler Rose	40-60cm (h)	Bareroot	1+1 transplant, min. 2 branched



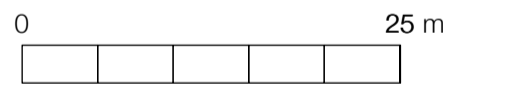
NATIVE STRUCTURE WOODLAND PLANTING					
% MIX	SPECIES	COMMON NAME	SIZE	POT SIZE	NOTES
<b>STANDARD TREES (4m staggered grid)</b>					
35	ACER campestre	Field Maple	16-18cm girth	Bareroot	3x transplanted, 4-4.5m high, min 2m clear stem, min. 5 breaks/branches
20	PRUNUS avium	Wild Cherry	14-16cm girth	Bareroot	3x transplanted, 4.25-6m high, 1.75-2m clear stem, min. 5 breaks/branches
20	QUERCUS robur	Oak	14-16cm girth	Root balled	3x transplanted, 4.25-6m high, 1.75-2m clear stem, min. 5 breaks/branches
10	CARPINUS betulus	Hornbeam	14-16cm girth	Bareroot	3x transplanted, 4.25-6m high, 1.75-2m clear stem, min. 5 breaks/branches
10	SCORBUS aucuparia	Rowan	14-16cm girth	Bareroot	3x transplanted, 4.25-6m high, 1.75-2m clear stem, min. 5 breaks/branches
5	PINUS sylvestris	Scots pine	250-300cm (h)	Root balled	5 x transplanted, leader and laterals, 2.5-3m high
<b>FEATHERED (2m staggered grid)</b>					
30	ACER campestre	Field Maple	175-200cm (h)	Bareroot	2x transplanted, feathered, min. 5 breaks/branches
20	BETULA pendula	Silver Birch	175-200cm (h)	Bareroot	2x transplanted, feathered, min. 5 breaks/branches
5	ILEX aquifolium	Holly	80-100cm (h)	10L	Leader and laterals, min. 3 branches
20	PRUNUS avium	Cherry	200-250cm (h)	Bareroot	2x transplanted, feathered, min. 5 breaks/branches
20	CRATAEGUS monogyna	Hawthorn	125-150cm (h)	Bareroot	2x transplanted, feathered
5	LIGUSTRUM ovalifolium	Privet	80-100cm (h)	15L	Bushy, min. 11 branches
<b>TRANSPLANTS (1m staggered grid)</b>					
10	BETULA pedula	Silver Birch	40-60cm (h)	Bareroot	1+1 transplant - seed raised
30	CORYLUS avellana	Hazel	40-60cm (h)	Bareroot	1+1 transplant, min. 2 branched
2.5	EUCONYMIUS europaeus	Spindle	40-60cm (h)	Bareroot	1+1 transplant, min. 3 branched
5	ILEX aquifolium	Holly	30-40cm (h)	2L	Bushy, min. 2 branches
20	PRUNUS spinosa	Blackthorn	40-60cm (h)	Bareroot	1+1 transplant, min. 2 branched
10	QUERCUS robur	Oak	40-60cm (h)	Bareroot	1+1 transplant - seed raised
2.5	ROSA canina	Dog Rose	40-60cm (h)	Bareroot	1+0 transplant, branched
5	SAMBUCUS nigra	Elder	40-60cm (h)	Bareroot	1+0 transplant, min. 2 branched
10	VIBURNUM latana	Wayfaring tree	40-60cm (h)	Bareroot	1+1 transplant - seed raised
5	VIBURNUM opulus	Guelder Rose	40-60cm (h)	Bareroot	1+1 transplant, min. 2 branched



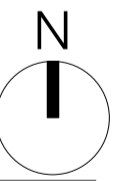
- Key
- Proposed tree planting
  - Proposed woodland planting mix A
  - Proposed ornamental hedgerow
  - Proposed shrub and groundcover
  - Proposed bulb planting
  - Proposed amenity grass, Emorsgate EG22 strong lawn grass mix or similar
  - Existing trees located from the aerial photograph to be retained
  - Existing tree retained from topographic survey
  - Existing long grass verges alongside highway to be retained and reinstated
  - Proposed meadow, Emorsgate EM3 special general purpose meadow mix or similar approved

FOR PLANTING SCHEDULES REFER TO SCHEDULES DRAWING 224406BM MERLIN-TOR-ZZ-SH-L-90-0001

Notes/Revisions



Masterplan 2022 Warner Bros.



Gadeside Road Planting Plan Sheet 4 of 4

Status:	FOR PLANNING	Drawn by:	JD	Checked by:	BP
Project Number:	224401BM	Scale @ A1:	1:500 @ A1	Date:	2/2022
Drawing Number:	MERLIN-TOR-ZZ-ZR-DR-L-90-0008	Revision:	D		

© Terence O'Rourke Ltd 2022 Scale to be used for planning purposes only

TERENCE O'ROURKE

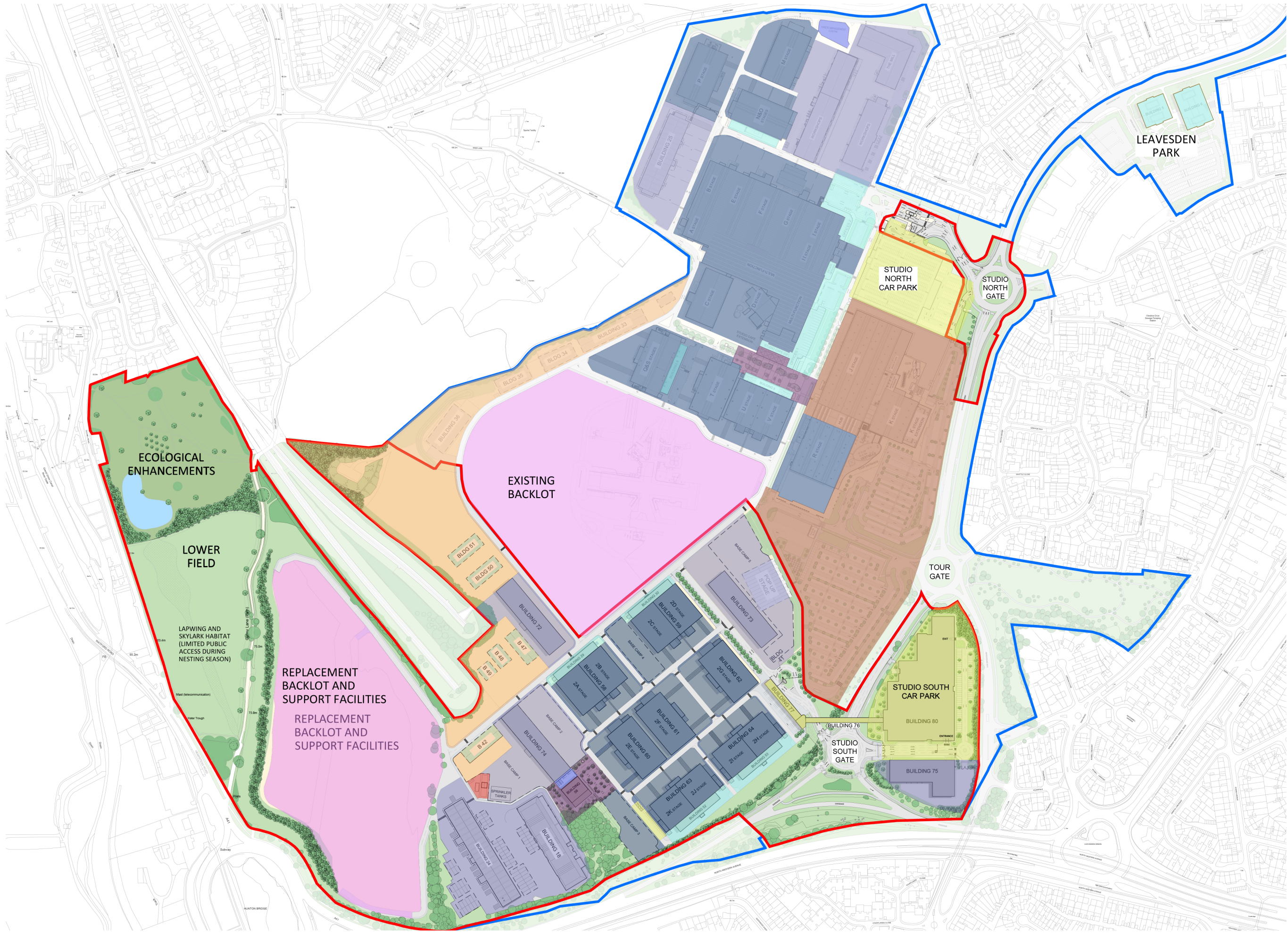
LONDON  
23 Heddon Street  
London W1B 4BO

BIRMINGHAM  
Enterprise House 115 Edmund Street  
Birmingham B3 2JU

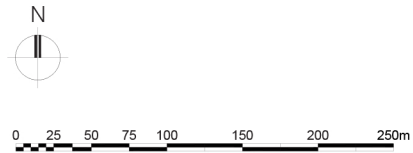
BOURNEMOUTH  
Everdine House Osmondsleigh Road  
Bournemouth BH7 7DU

TELEPHONE  
020 3664 0755  
www.torfd.co.uk





- APPLICATION BOUNDARY
- OTHER LAND WITHIN THE OWNERSHIP OF WBSL
- STAGE USE
- WORKSHOP USE
- OFFICE USE
- TEMPORARY BUILDING /MARQUEES (AS OF FEBRUARY 2022)
- EXTERNAL FILMING AREA
- AMENITY
- TOUR (PUBLIC)
- WASTE MANAGEMENT CENTRE
- M&E
- STUDIO CAR PARKING & SITE ENTRANCE
- ECOLOGICAL ENHANCEMENTS
- ROADS
- VEGETATION/TREES

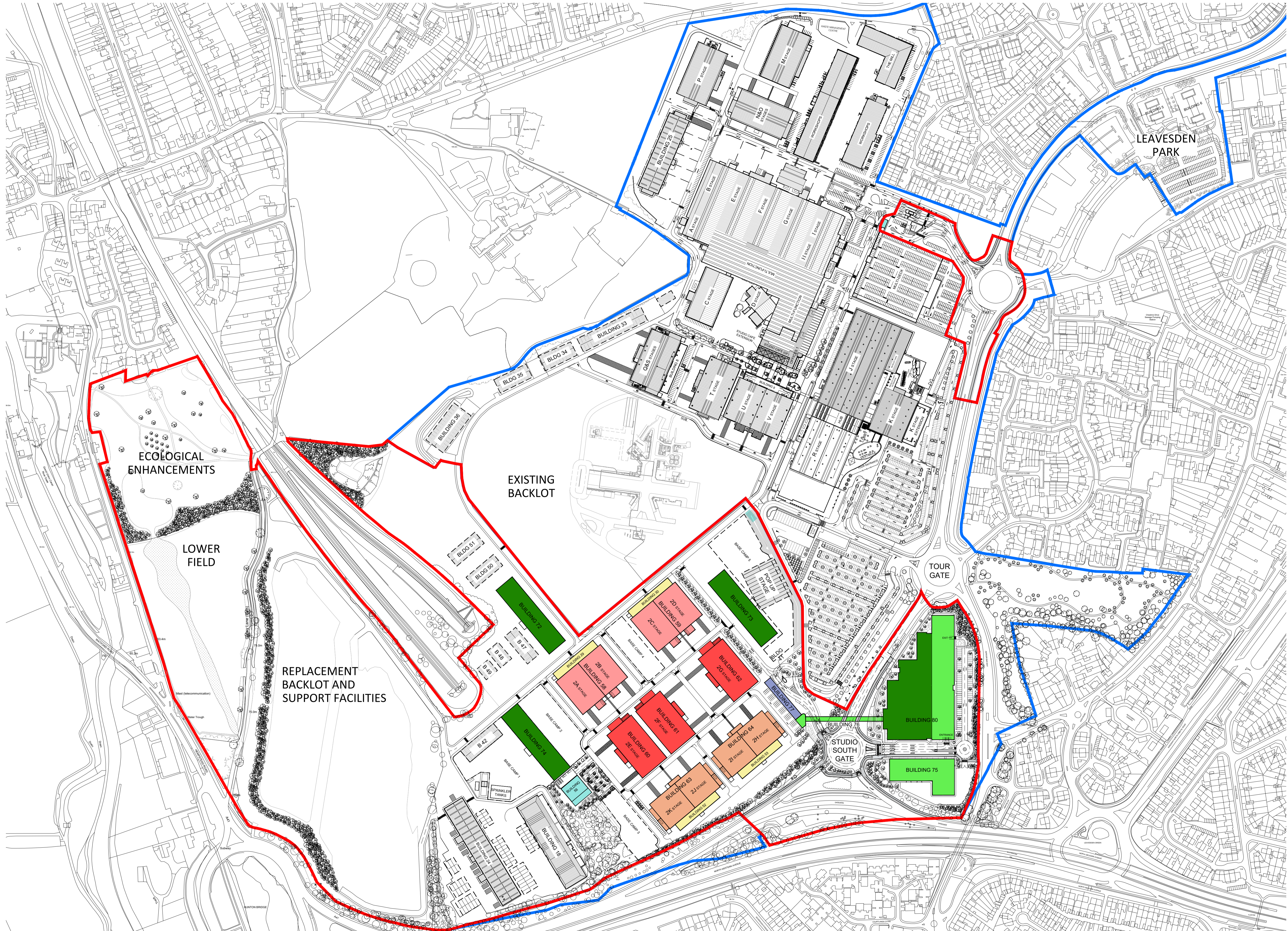


WB MASTERPLAN II

PROPOSED LAND USE SITE PLAN

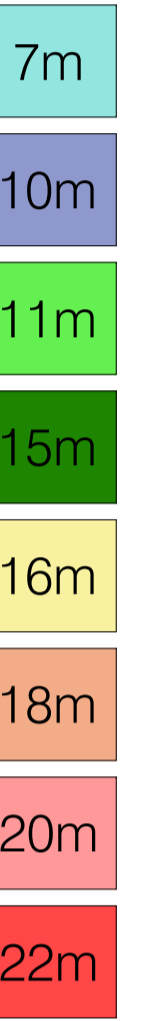
Drawn By: BE	Checked By: ES	Authorised By: SMC	Revision By: BE	Rev Auth By: ES
Date: 07-02-2022	Scale: 1:2500@A1	Drawing No: 1366 / SC / 201	Rev date: 28/07/2022	Rev: P2



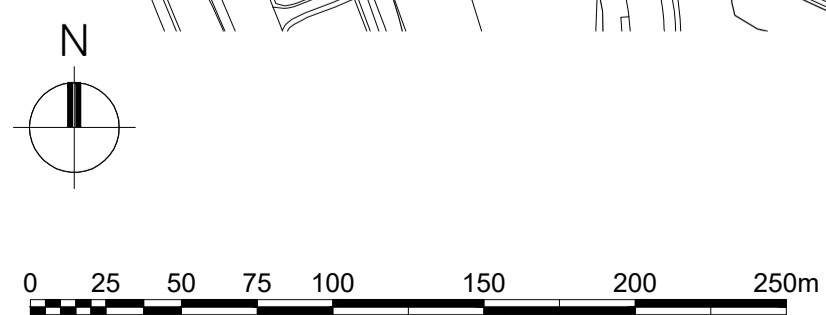


**APPLICATION BOUNDARY**  
**OTHER LAND WITHIN THE OWNERSHIP OF WBSL**

Max Height



**NOTE:**  
BUILDING 80 - TO HAVE LOCALISED STAIRCASES AND LIFT CORES UP TO 3M ABOVE INDICATED ROOF HEIGHT.



WB MASTERPLAN II

PROPOSED BUILDING HEIGHTS PLAN

Drawn By: BE	Checked By: ES	Authorised By: SMC	Revision By: BE	Rev Auth By: ES
Date: 07-02-2022	Scale: 1:2500@A1	Drawing No: 1366 / SC / 202	Rev date: 28/07/2022	Rev: P2